

LOVESHAW Microjet HRP Printing Systems



Inkjet Technology by 



PRINTHEADS

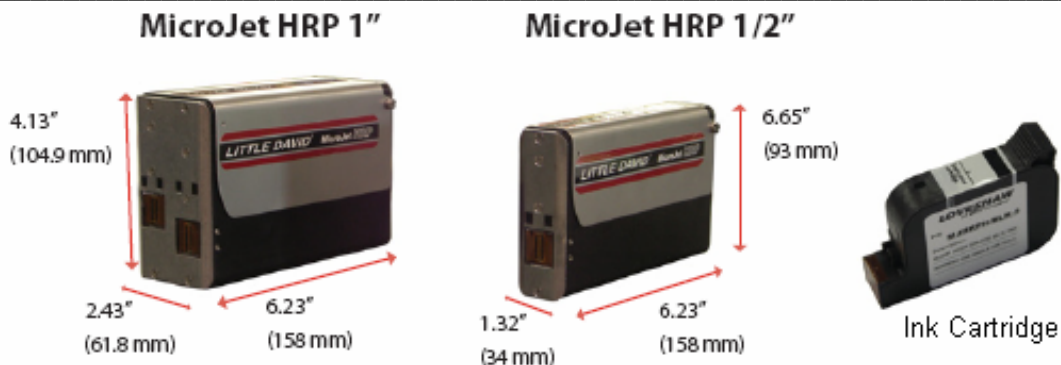
1/2" MicroJet HRP Printhead: (part# -MJHRP) **\$995.00**
Printhead, Mounting Bracketry, Software, Instruction, Cables.

1" MicroJet HRP Printhead: (part# -MJHRP/1") **\$1,895.00**
Printhead, Mounting Bracketry, Software, Instruction, Cables.

COMPLETE SYSTEMS

1/2" MicroJet HRP Printhead with Hand Held II CTS Controller: (part# -MJHRPC/CTS) **\$1,945.00**
Printhead, Controller, Mounting Bracketry, Cables, Software, Instructions.
Controller mounting bracket sold separately, see options

1" MicroJet HRP Printhead with Hand Held II CTS Controller: (part# -MJHRPC/1") **\$2,845.00**
Printhead, Controller, Mounting Bracketry, Cables, Software, Instructions.
Controller mounting bracket sold separately see options.



CONTROLLER (Dimensions are approximate)

CTS HAND HELD II



L W H
7.7" x 1.25" x 9"

CTS HAND HELD II Controller: (part# .MJHRP-030) 128MB Memory, Graphical user interface 70-key QWERTY, style keyboard, 7" display 320 x 230 Color LCD w/ Touch Screen. Auto Time, Date & Sell By codes, User Defined Time and Date codes, Bar Codes, Ports: (2) RS-232, (1) 10/100 Base-T Ethernet, (1) USB. Includes Backup and Restore of saved messages through USB file transfer feature. CTS includes a rear mounting bracket. Power to the CTS is brought back from the Printhead using a supplied D9 Female to Female serial cable PN: MJHRP-007/F. An optional power supply is available to power the CTS off line of the head. The CTS is capable of controlling up to 8 print cartridges per COM port.

\$950.00

HRP Accessory Hub

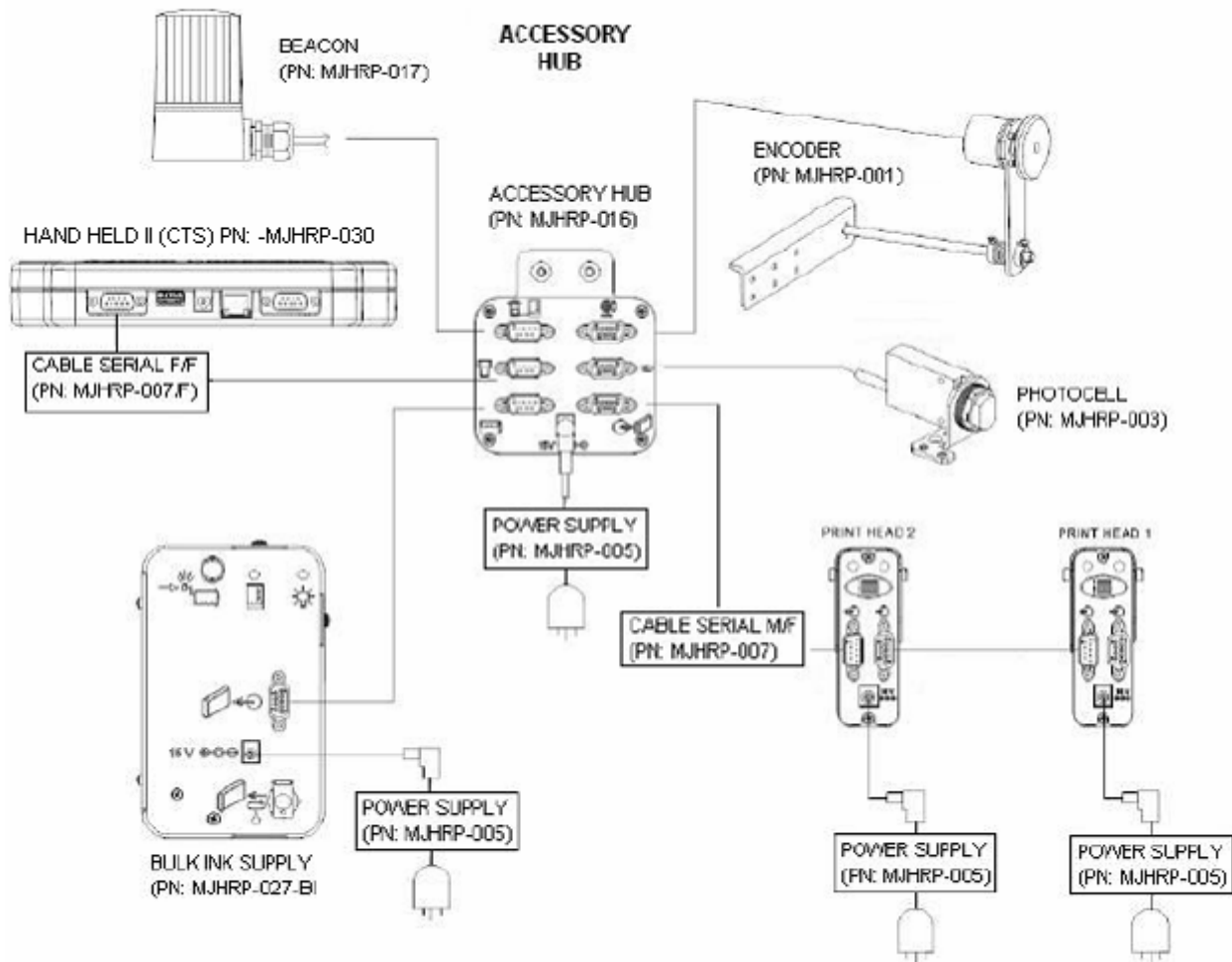
The MJ HRP Accessory Hub serves to manage the connections for the various accessories available to the print head daisy chain and can be used for both the MJ HRP 1/2" and 1" print head. The accessory hub is plugged into the last print head of a daisy chain via the included data cable. Input from an external photo cell, encoder, bulk ink system or hand held controller is fed to the daisy chain through the accessory hub. An external beacon is also connected and powered.

MJ HRP Accessory Hub Kit Contains:

Accessory Hub, 15VDC Power Supply, Power Cable and Bracket, Data Cable (Serial).



*** Note: The Accessory HUB Kit is required to operate all external devices such as the Remote Ink Status Beacon, Encoder, and External Photo Cell.**



Ink Cartridges:

(printhead will only function properly while using Genuine Little David Ink. (Sold in 5 or 10 pack only)
 Additional colors available: Red, Green, Blue, Yellow @ \$349.00 per 5 pack, not a stock item.

High Throughput Microjet HRP Ink (part# MJHRPS/BLK-5) \$245.00
 (5 pack) (Secured for Microjet HRP, recommended for high volume applications only)

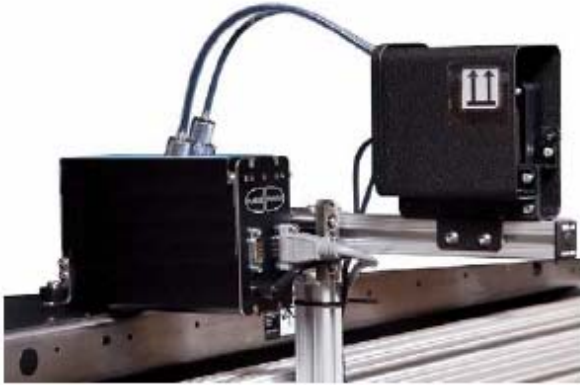
Standard High Grade MicroJet HRP Ink (part# MJHRPH/BLK-5) \$299.00
 (5 pack) (Better De-Cap Time, Wider Range of Substrates, Secured for Microjet HRP)

UV 'readable' invisible ink MicroJet HRP Ink (part# MJHRPH/UV-5) \$349.00
 (5 pack) (for porous surfaces, secured for Microjet HRP)

Non-porous MicroJet HRP Ink (part# MJHRP/NP/BLK-5) \$312.50
 (5 pack) (for non-porous surfaces, secured for Microjet HRP, not available in bulk supply)

Bulk Ink:

The Bulk Ink Supply provides a large capacity (350 ml) cartridge for supplying ink to multiple Microjet HRP print heads. The bulk ink will provide over a 50% cost per mark reduction as compared to standard cartridge ink. The addition of bulk ink capacity to the HRP product line expands its potential, providing a full features, low cost, high resolution print system.



Items Listed Below Required for Bulk Ink:

Bulk Ink Supply Kit (part# -MJHRP-027-BI)	\$995.00
½” Printhead Bulk Ink Upgrade Kit (part# -MJHRP-020-BI)	\$290.32
350ML Black Bulk Ink (part# -MJHRP/BI/350)	\$195.00
42ML Black Bulk Ink cartridge, 5 pack (part# -MJHRP/BI/42-5)	\$475.00

Little David® Performance and Design Features:

- Print Speed: Up to 200 fpm (61 mps)
- Box count and shift rollover capabilities
- Print Resolution: 300 dpi vertical resolution
- Ink throw distance: up to .25” (porous ink) ; up to .15” (non-porous ink)
- Prints Bar codes and alphanumerics
- Capable of printing the following auto codes: Time, Date, Sell By, Julian Date, and Rollover Time.
- Sealed industrial printhead
- Hinged cover provides easy access to ink cartridge
- Easy snap-in/snap-out method for changing ink
- Orientation: Side or top-down printing
- Product Sensing: Integrated Photoeye
- Communication Interface: RS232C
- Stainless steel faceplate with built-in photo sensors to detect product speed and direction
- Channel purge at the printhead
- Industrial DB-9 serial connection

MicroJet HRP 1/2” Head Features

- Prints characters up to .45” tall
- Print Lines: 1 to 3 lines (.125”, .15”, .45”)

MicroJet HRP 1” Head Features

- 1” print area
- Fonts Available: 1”, .50”, .25”, .10”
- 1” Logos (logos larger than ½” will end up being divided between the two print cartridges but is transparent to the user)
- Up to 10 lines of print (5 lines per cartridge)
- Improved/expanded memory architecture allows for more storage of fonts and logos on the PH. (27 total slots for fonts and/or logos)
- Backwards compatible. Can be mixed with older MJ HRP print heads in a daisy chain.
- Can be mixed with ½” head in daisy chain configurations.
- 2 each 1” heads maximum per task or COM Port.
- Print orientation from horizontal to straight down, 45 degree from side to side.
- Two sets of photo sensors, one set per cartridge.

1" Printhead fonts



Delivery: FOB South Canaan. PA.

Terms: Net 30 days form shipment

Lead Time: Approximately 2 weeks from receipt of order.

Should you have any questions contact your local Loveshaw Sales Representative at 800-572-3434

MICROJET HRP WARRANTY

1 Year (12 Months) WARRANTY

(EXCEPT FOR MOVING PARTS WHICH ARE SUBJECT TO NORMAL WEAR, TEAR AND REPLACEMENT WHICH ARE WARRANTED ONLY TO BE FREE FROM DEFECTS IN MATERIAL AND WORKMANSHIP).

ABOVE WARRANTY EXCLUDES ANY PURCHASED MATERIAL HANDLING SYSTEM (CONVEYOR). CONVEYOR WARRANTY AVAILABLE UNDER SEPARATE COVER.

*LIMITED WARRANTY – **LOVESHAW**

WARRANTS ONLY THAT THE GOODS SOLD BY IT SHALL BE FREE FROM DEFECTS IN MATERIAL AND WORKMANSHIP, UNDER PROPER AND NORMAL USE AND MAINTENANCE,

THE WARRANTY PERIOD SHALL COMMENCE AS OF THE DATE OF DELIVERY TO THE PURCHASER. THE OBLIGATION OF LOVESHAW UNDER THIS WARRANTY IS STRICTLY LIMITED TO THE COST OF REPAIRING OR REPLACING, AS LOVESHAW MAY ELECT, ANY PART OR PARTS THAT PROVE IN LOVESHAW'S JUDGMENT TO HAVE BEEN DEFECTIVE IN MATERIAL OR WORKMANSHIP AT THE TIME THE GOODS WERE SHIPPED FROM LOVESHAW'S PLANT. ANY WARRANTY CLAIM NOT MADE IN WRITING TO LOVESHAW AT ITS HOME OFFICE WITHIN THE APPLICABLE WARRANTY PERIOD AND WITHIN 10 DAYS OF FAILURE WILL NOT BE VALID. THIS IS THE SOLE AND EXCLUSIVE REMEDY AVAILABLE UNDER THIS WARRANTY. UNDER NO CIRCUMSTANCES WILL LOVESHAW BE LIABLE FOR INCIDENTAL, SPECIAL OR CONSEQUENTIAL DAMAGES.

IF REQUESTED BY LOVESHAW, PURCHASER SHALL RETURN ANY DEFECTIVE PART OR PARTS TO LOVESHAW'S PLANT, FREIGHT PREPAID. ALL WARRANTY PART REPLACEMENTS AND REPAIRS MUST BE MADE BY LOVESHAW OR A LOVESHAW DEALER AUTHORIZED TO HANDLE THE GOODS COVERED BY THIS WARRANTY. ANY OUTSIDE WORK OR ALTERATIONS DONE WITHOUT LOVESHAW'S PRIOR WRITTEN APPROVAL WILL RENDER THIS WARRANTY VOID. **LOVESHAW**, WILL NOT ASSUME ANY EXPENSE OR LIABILITY FOR ANY REPAIRS MADE TO ITS GOODS OUTSIDE ITS WORKS WITHOUT ITS PRIOR WRITTEN CONSENT. THIS WARRANTY SHALL NOT APPLY TO ANY ITEM THAT HAS NOT BEEN USED, OPERATED, AND MAINTAINED IN ACCORDANCE WITH LOVESHAW'S RECOMMENDED PROCEDURES. LOVESHAW SHALL HAVE NO LIABILITY WHATSOEVER WHERE THE GOODS HAVE BEEN ALTERED, MISUSED, ABUSED OR INVOLVED IN AN ACCIDENT.

NO PERSON IS AUTHORIZED TO MAKE ANY WARRANTY OR TO CREATE ANY LIABILITY BINDING UPON LOVESHAW WHICH IS NOT STATED IN THIS WARRANTY. THIS WARRANTY IS EXPRESSLY IN LIEU OF ALL OTHER WARRANTIES OF ANY KIND, EXPRESSED OR IMPLIED, WHICH ARE HEREBY EXCLUDED. IN PARTICULAR, THE IMPLIED WARRANTY OF MERCHANTABILITY, AS WELL AS THE IMPLIED WARRANTY OF FITNESS FOR A PARTICULAR PURPOSE ARE HEREBY EXCLUDED.

LOVESHAW

2206 Easton Turnpike, PO. Box 83
SOUTH CANAAN, PA 18459

570.937.4921 - 800.572.3434 – (FAX 570.937.4370)

LOVESHAW
an ITW Company
2206 Easton Turnpike
P.O. Box 83
South Canaan, PA 18459
Tel: (800) 572-3434 Fax: (570) 937-3229
www.loveshaw.com

LOVESHAW Europe
A Division of ITW Ltd.
Unit 9 Brunel Gate,
West Portway Industrial Estate
Andover, Hampshire England SP 10 3 SL
Tel: (1264) 357511 Fax: (1264) 355964

MEMBER
PMMI
USA

©Loveshaw, an ITW Company, 2009